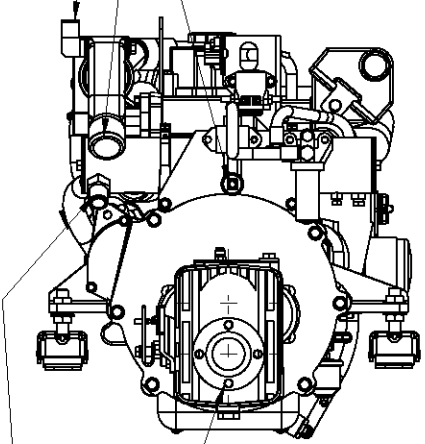


WATER INJECTION FITTING LOCATED ON EITHER SIDE 1.0 (25.4) I.D. HOSE

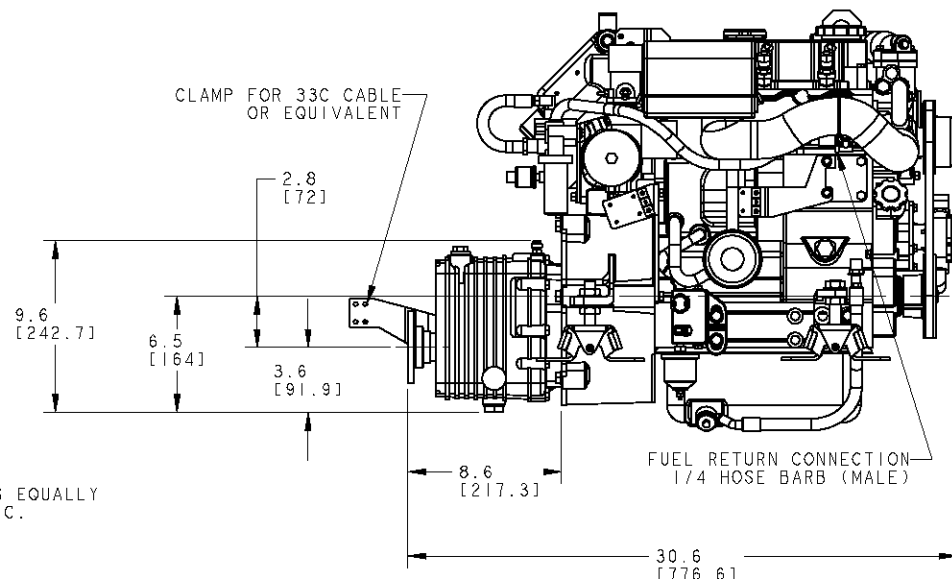
EXHAUST OUTLET (OPTIONAL 70°) ELBOW 2.0 (50.8) I.D. HOSE

FUEL INLET CONNECTION 1/8-27 NPT (FEMALE)

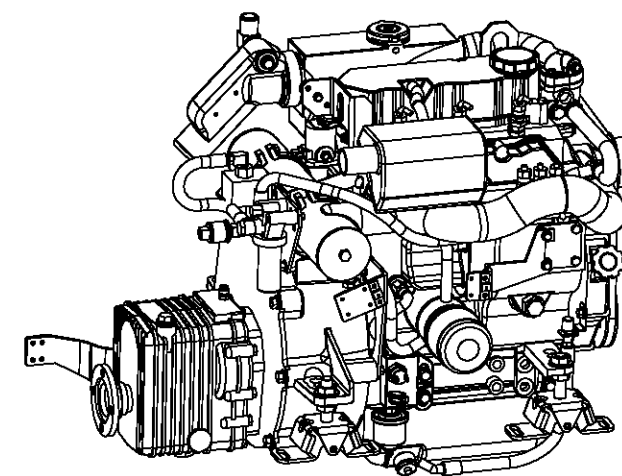
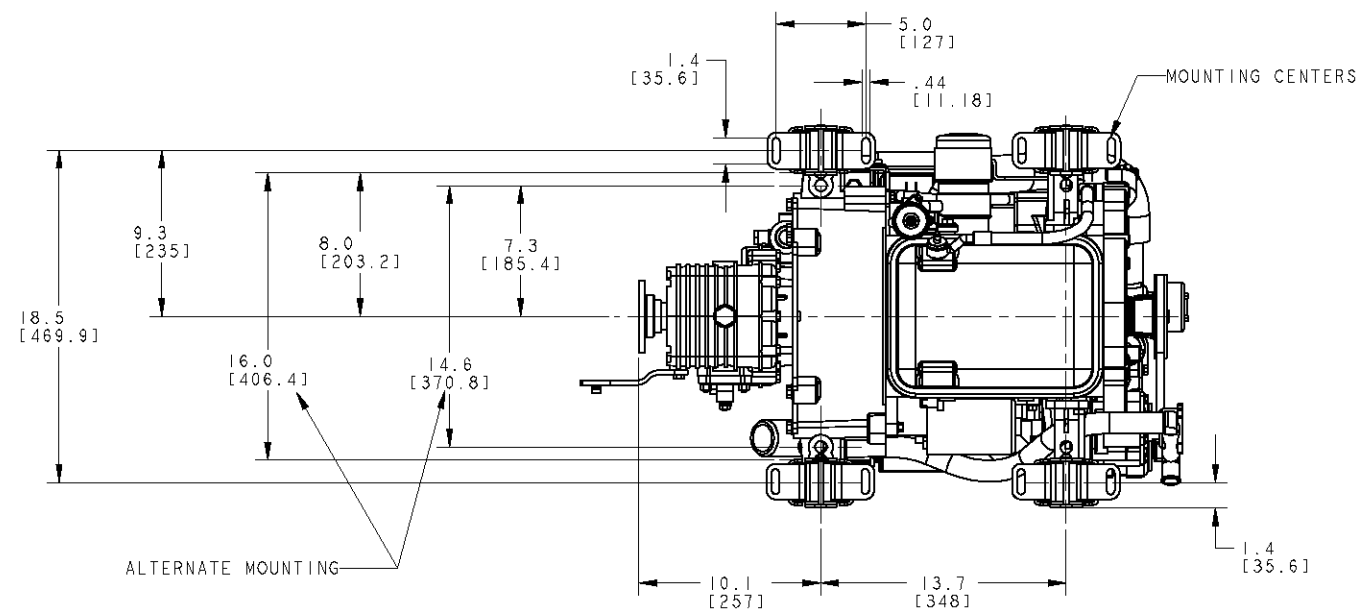
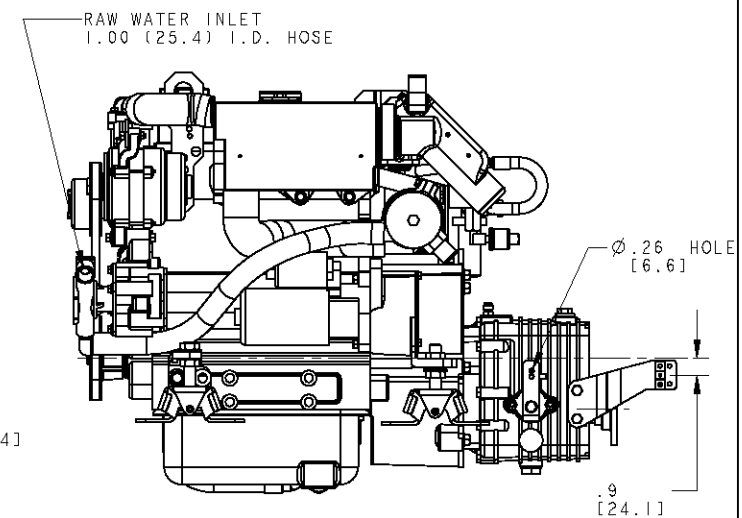
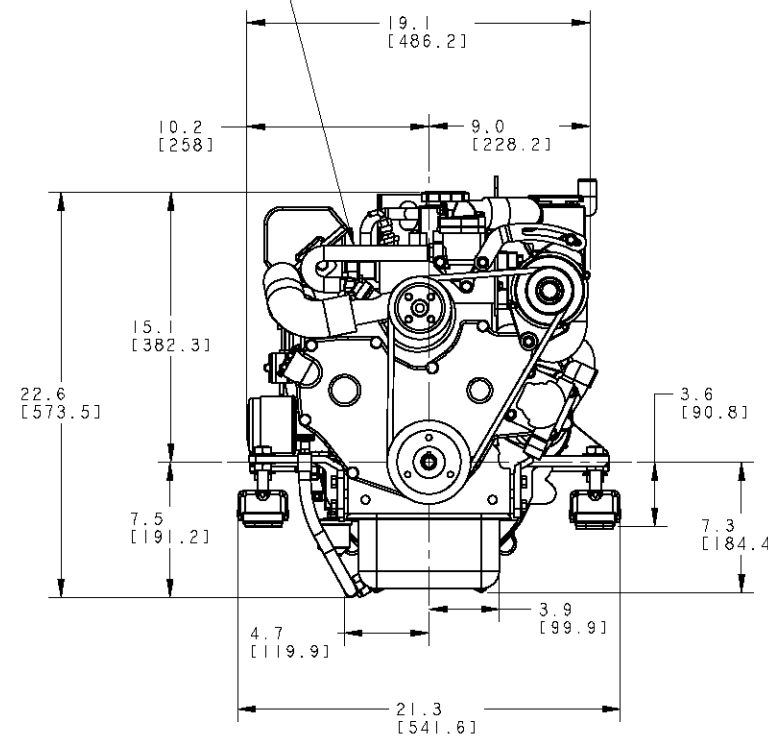


RAW WATER DISCHARGE 1.0 (25.4) I.D. HOSE

Ø.413 (10.5) THRU (4) HOLES EQUALLY SPACED ON A 3.25 (82.5) ØB.C.



REMOVE HOSE FOR HOT WATER CONNECTION. FITTING FOR .63 (16.0) I.D. HOSE



MODEL WITH 50 AMP ALTERNATOR

TOLERANCES (UNLESS OTHERWISE NOTED)		WESTERBEKE CORPORATION TAUNTON, MA. 02780	
INCHES	MILLIMETERS	TITLE	
.XX : .02	X ± 1.0	INSTALLATION DRAWING	
.XXX : .005	.X ± .5	35D THREE WITH PRM120 TRANSMISSION	
CAST : .03	.XX ± .13	DRAWN BY	DATE
FINISH		GA	20/May/03
DIMENSIONS		APPROVED BY	DATE
INCHES		SCALE 0.187	
MILLIMETERS		SIZE	DRAWING NUMBER
(WHEN APPLICABLE)		SHT. 1 OF 2	D 43763
			REV.
			-